

New!



KABLE  **KONNECT**
Terminals
Cable Accessories

Product
Catalogue

Contents

Cord-End Terminals2
Pre-Insulated Cord End Terminals	2
Twin Cord End Terminals	4
Uninsulated Cord End Terminals	5
Heat Shrinkable Busbar Sleeves6
Cable Accessories7
Cable Markers	7
Cable Ties	8
Tie Bases.	9
Cable Glands	10
Spiral Bands	11
Tubular Lugs	12
Terminals	14
Ring Terminals	14
Spade Terminals—JIS standards	16
Uninsulated Spade Terminals - JIS standards	18
Insulated Pin Terminals—JIS standards	20
Blade Terminals—JIS standards.	21
Hooked Blade Terminals—JIS standards	22
Male Disconnecter Terminals.	23
Female Disconnecter Terminals	24
Expandable Braided Sleeves	25



KableKonnect: Uncompromising Quality

KableKonnect is a widely recognized Taiwanese brand with its corporate office in the UAE, established more than a decade ago. With KableKonnect's wide array of cable connectors and accessories, you are assured of high-quality products for all your cable terminal requirements. KableKonnect expertise provides terminal solutions around the globe with substantial clientele in Europe, Middle East, Africa, and South Asia.

KableKonnect products are manufactured in facilities in Taiwan and China that meet all the international quality standards and:

- have earned many international quality certifications,
- are backed with decades of experiences, and
- whose products can be found in applications all around the globe.

KableKonnect products cover an array of high-quality cable accessories comprising:

- Cable Ties
- Insulated Terminals
- Expandable Braided Sleeves
- Heat Shrink Sleeves
- Cable Markers
- Pin Terminals
- Spade Terminals
- Cable Markers
- Spiral Bands
- Male & Female Disconnectors
- Cable Glands

Royal Rubber: Unremitting Dedication to the Customer

Royal Rubber, based in the UAE, manufactures, imports and supplies Electrical Equipment. Over the past 15 years, Royal has earned the trust and confidence of customers in the UAE and other GCC countries, and in the wider MENA region. Royal is committed to providing customers with exceptional products that fit within their budget. With **KableKonnect**, Royal presents a redoubtable brand which ensures high quality products on time and on budget.

Cord-End Terminals

Pre-Insulated Cord End Terminals

- Perfect for the reinforcement of fine wire strands when terminating a cable in a connector block.
- Suitable for Tri-rated cables
- Available in French and German color ranges
- In accordance with DIN 46288 Part 4.

Application:

Reinforcement of fine wire strands when terminating a cable into a connector block.

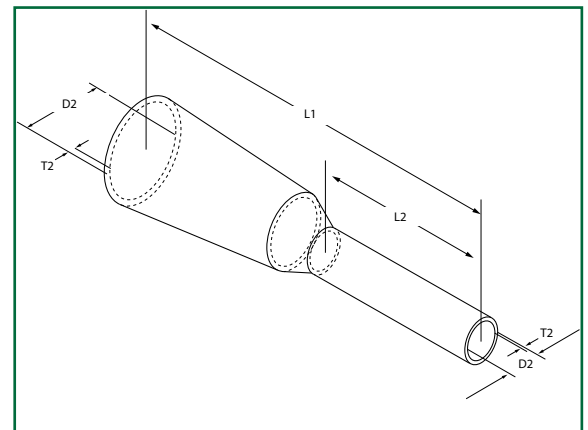
Material: Tin-plated Electrolytic Copper, Halogen-Free Nylon PA66

Service Temperature Range: -20°C to +105°C

Standards: DIN 46288 Part 4.

Approvals: UL Approved - E507013

Flammability(UL-94): V2



Item No:	Wire Range	dimensions (mm)						color system		
		d1	d2	L	L2	T1	T2	German-W	French-T	DIN
LT-001406 LT-001408	0.14	0.70	1.10	10 12	6 8	0.15	0.25	GRAY		
LT-002506 LT-002508	0.25	0.75	1.90	10 12	6 8	0.15	0.25	LIGHT BLUE	VIOLET	
LT-003406 LT-003408	0.34	0.80	1.90	10 12	6 8	0.15	0.25	TURQUOISE	PINK	
LT-005006 LT-005008 LT-005010	0.50	1.00	2.60	12 14 16	6 8 10	0.15	0.25	ORANGE	WHITE	WHITE
LT-007506 LT-007508 LT-007510 LT-007512	0.75	1.20	2.80	12 14 16 18	6 8 10 12	0.15	0.25	WHITE	BLUE	GRAY
LT-010006 LT-010008 LT-010010 LT-010012	1.00	1.40	3.00	12 14 16 18	6 8 10 12	0.15	0.25	YELLOW	RED	RED
LT-015008 LT-015010 LT-015012 LT-015018	1.50	1.70	3.50	14 16 18 24	8 10 12 18	0.15	0.25	RED	BLACK	BLACK
LT-025008 LT-025010 LT-025012 LT-025018	2.50	2.20	4.20	14 16 18 24	8 10 12 18	0.15	0.25	BLUE	GRAY	BLUE

...Pre-insulated Cord End Terminals

Item No:	Wire Range	dimensions (mm)						color system		
		d1	d2	L	L2	T1	T2	German-W	French-T	DIN
LT-040010 LT-040012 LT-040018	4.00	2.80	4.80	17 20 26	10 12 18	0.20	0.30	GRAY	ORANGE	GRAY
LT-060012 LT-060018	6.00	3.50	6.30	20 26	12 18	0.20	0.30	BLACK	GREEN	YELLOW
LT-100012 LT-100018	10.00	4.50	7.60	22 28	12 18	0.20	0.40	IVORY	BROWN	RED
LT-160012 LT-160018	16.00	5.80	8.80	24 28	12 18	0.20	0.40	GREEN	IVORY	BLUE
LT-250016 LT-250018 LT-250022	25.00	7.30	11.20	30 32 35	16 18 22	0.20	0.40	BROWN	BLACK	YELLOW
LT-350016 LT-350018 LT-350025	35.00	8.30	12.70	30 32 39	16 18 25	0.20	0.40	BEIGE	RED	RED
LT-500020 LT-500025	50.00	10.30	15.00	36 40	20 25	0.30	0.70	OLIVE	BLUE	BLUE
LT-700021	70.00	13.50	16.00	37	21	0.40	0.60			YELLOW
LT-950025	95.00	14.70	18.00	44	25	0.40	0.60			RED
LT-120027	120.00	16.70	20.00	48	27	0.45	0.70			BLUE
LT-150032	150.00	19.50	23.00	58	32	0.50	1.00			YELLOW

Cord End Terminals

Twin Cord End Terminals

- Perfect for the reinforcement of fine wire strands when terminating a cable in a connector block.
- Suitable for Tri-rated cables
- Available in French and German color ranges
- In accordance with DIN 46288 Part 4.

Application:

Reinforcement of fine wire strands when terminating a cable into a connector block.

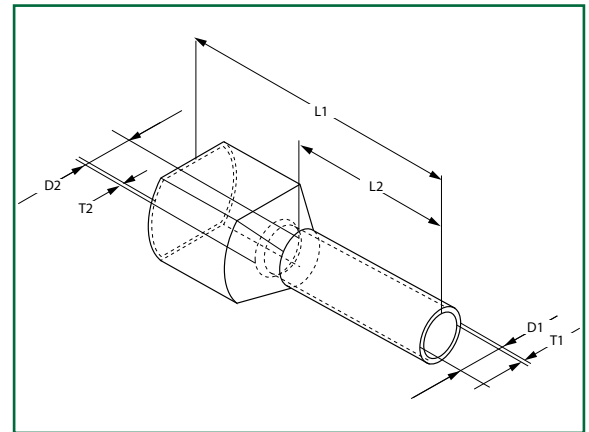
Material: Tin Plated Electrolytic Copper,
Halogen-Free Nylon PA66

Service Temperature Range: -20°C to +105°C

Standards: DIN 46288 Part 4.

Approvals: UL Approved - E488241

Flammability(UL-94): V2



Item No:	Wire Range	Dimensions (mm)						Color System		
		d1	d2	L	L2	T1	T2	German-W	French-T	DIN
LT-005008x2	2x0.50	1.40	4.70	15.0	8.0	0.15	0.25	ORANG	WHITE	WHITE
LT-007508x2 LT-007510x2	2x0.75	1.70	5.00	15.0 17.0	8.0 10.0	0.15	0.25	WHITE	BLUE	GRAY
LT-010008x2 LT-010010x2	2x1.00	1.95	5.40	15.0 17.0	8.0 10.0	0.15	0.30	YELLOW	RED	RED
LT-015008x2 LT-015012x2	2x1.50	2.20	6.60	16.0 20.0	8.0 12.0	0.15	0.30	RED	BLACK	BLACK
LT-025010x2 LT-025013x2	2x2.50	2.80	7.80	18.5 21.5	10.0 13.0	0.20	0.30	BLUE	GRAY	BLUE
LT-040012x2	2x4.00	3.70	8.80	23.0	12.0	0.20	0.40	GRAY	ORANGE	GRAY
LT-060014x2	2x6.00	4.80	10.00	26.0	14.0	0.20	0.40	BLACK	GREEN	YELLOW
LT-100014x2	2x10.00	6.40	13.00	26.0	14.0	0.20	0.40	IVORY	BROWN	RED
LT-160014x2	2x16.00	8.20	18.40	30.0	14.0	0.20	0.40	GREEN	IVORY	BLUE

Cord End Terminals

Uninsulated Cord End Terminals

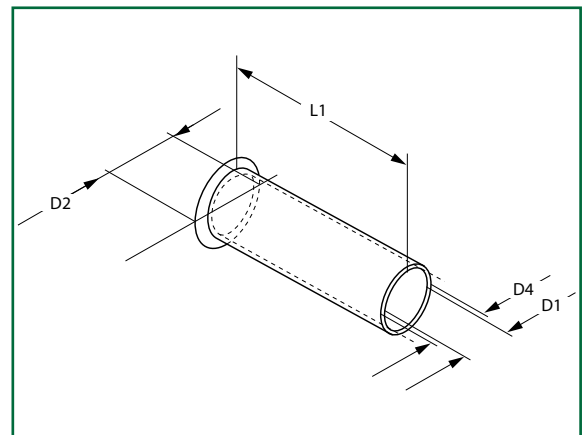
The ends of cables are liable to be damaged by screws used in screw-type terminal blocks.

KableKonnect uninsulated cord end terminals can be used to shield the the end of the cable, prior to fitting screw type terminal blocks or connectors.

Once crimped on to the end of the cable, the uninsulated cord end terminal protects the exposed wire strands from damage by the screw, which results in a stronger connection.

Material: Copper

Surface: Tin plated



Item No.	Wire Range	L	d1	d2	d4
LN-005006	0.5	6	1.0	1.9	1.3
LN-005008	0.5	8	1.0	1.9	1.3
LN-005010	0.5	10	1.0	1.9	1.3
LN-007506	0.75	6	1.2	2.2	1.5
LN-007508	0.75	8	1.2	2.2	1.5
LN-007510	0.75	10	1.2	2.2	1.5
LN-010006	1	6	1.4	2.4	1.7
LN-010008	1	8	1.4	2.4	1.7
LN-010010	1	10	1.4	2.4	1.7
LN-010012	1	12	1.4	2.4	1.7
LN-015007	1.5	7	1.7	2.8	2.0
LN-015010	1.5	10	1.7	2.8	2.0
LN-015012	1.5	12	1.7	2.8	2.0
LN-025007	2.5	7	2.2	3.4	2.5
LN-025008	2.5	8	2.2	3.4	2.5
LN-025010	2.5	10	2.2	3.4	2.5
LN-025012	2.5	12	2.2	3.4	2.5
LN-040008	4	8	2.8	4.0	3.2
LN-040009	4	9	2.8	4.0	3.2
LN-040010	4	10	2.8	4.0	3.2
LN-040012	4	12	2.8	4.0	3.2
LN-040015	4	15	2.8	4.0	3.2
LN-040018	4	18	2.8	4.0	3.2
LN-060010	6	10	3.5	4.7	3.9
LN-060012	6	12	3.5	4.7	3.9
LN-060015	6	15	3.5	4.7	3.9
LN-060018	6	18	3.5	4.7	3.9

Item No.	Wire Range	L	d1	d2	d4
LN-100012	10	12	4.5	5.8	4.9
LN-100015	10	15	4.5	5.8	4.9
LN-100018	10	18	4.5	5.8	4.9
LN-160012	16	12	5.8	7.5	6.2
LN-160015	16	15	5.8	7.5	6.2
LN-160018	16	18	5.8	7.5	6.2
LN-250015	25	15	7.3	9.5	7.7
LN-250016	25	16	7.3	9.5	7.7
LN-250018	25	18	7.3	9.5	7.7
LN-250022	25	22	7.3	9.5	7.7
LN-350016	35	16	8.3	10.5	8.7
LN-350018	35	18	8.3	10.5	8.7
LN-350020	35	20	8.3	10.5	8.7
LN-350025	35	25	8.3	10.5	8.7
LN-500018	50	18	10.3	13.0	10.9
LN-500020	50	20	10.3	13.0	10.9
LN-500025	50	25	10.3	13.0	10.9
LN-700022	70	22	13.5	15.5	14.3
LN-700025	70	25	13.5	15.5	14.3
LN-950025	95	25	14.7	17	15.5
LN-950032	95	32	14.7	17	15.5
LN-120030	120	30	16.7	19	17.6
LN-120032	120	32	16.7	19	17.6
LN-120034	120	34	16.7	19	17.6
LN-150032	150	32	19.5	21.5	20.5
LN-150038	150	38	19.5	21.5	20.5

Heat Shrinkable Busbar Sleeves

KableKonnnect busbar sleeves are made of high-quality PVC resin imported from the European Union.

With high dielectric strength and top insulation properties, these sleeves provide optimum safety to technicians and operators, and maintain the efficiency of the switchgear and control panel system.



Available Heat Shrink Sleeve Sizes

Sr.no	Lay-flat Width (mm)	Supporting Busbar Sizes (mm)			
1	17	8x 4	6 x 6	10x3	
2	20	12 x 3	9 x 6		
3	25	15 x 3	12 x 6		
4	30	20 x 3	16 x 6	6 x 3	
5	35	25 x 3	20 x 6		
6	41	26 x 6	25 x 9		
7	48	30 x 10	30 x 6	25 x 12	
8	55	36 x 6	30 x 12		
9	61	40 x 10	40 x 6	38 x 12	36 x 9
10	73	50 x 6			
11	81	50 x 12	50 x10		
12	85	60 x 6			
13	61	75 x 6			
14	103	75 x 12			
15	110	90 x 2	90 x 6		
16	120	90 x 10	100 x 5		
17	128	100 x 9	100 x 6		
18	140	100 x 12			
19	150	120 x 5	125 x 5		
20	170	125 x 10	125 x 6		

Technical Specifications

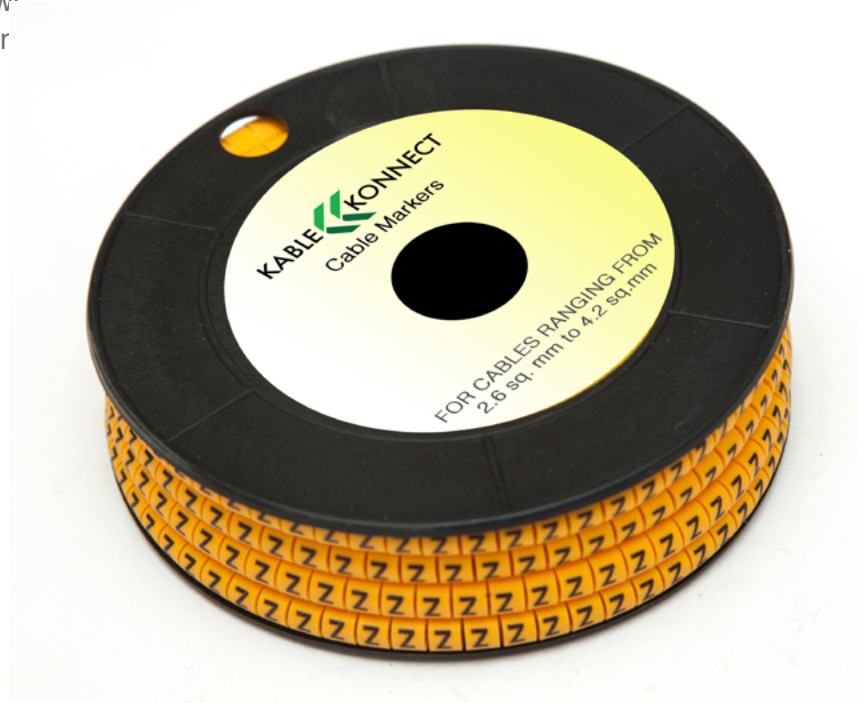
Working Temperature	90°C
Dielectric Strength	20 kV/mm
Insulation Resistance	20 x 10 ² Ω at 500Vdc
Tensile Strength	Min 400 Kg/cm ³
Shrinkage ability	Between 30 & 40%
Chemical Resistance	High grade PVC: resists chemical deterioration
Fire Resistance	Self extinguishing properties
Shrinking Temperature	150°C–170°C for 4–5 minutes

Cable Accessories

Cable Markers

KableKonnnect cable markers are made of PVC, which gives oil and erosion control. It also gives heat resistance upto 85°C.

Structure: A hollow but elastic interior allows flexibility which enables the diameter to change with the wire in use.



Circular Cable Markers

Item NO.	Approx.wire range		Markers	Packing
	SQ	mm		
EC-0	0.75–1.5	2.0–3.2	0–9, A–Z, + - / \	1000 Pcs/Roll
EC-1	0.75–3.5	3.0–4.2		1000 Pcs/Roll
EC-2	3.5–8.0	3.6–7.4		500 Pcs/Roll
EC-3	5.2–10.0	5.2–10.0		350 Pcs/Roll

Flat Cable Markers

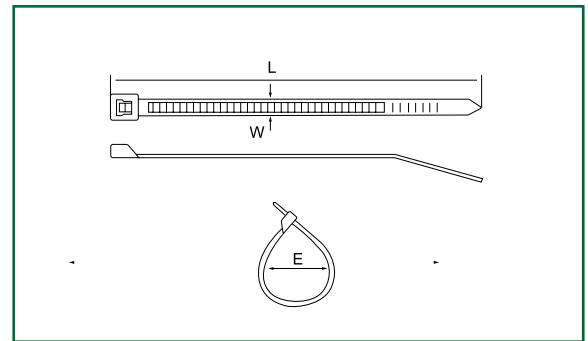
Item NO.	Approx.wire range		Markers	Packing
	SQ	mm		
EC-J	3.5–7.0	0.5–7.0	0–9, A–Z, + - / \	500 Pcs/Roll

Cable Accessories

Cable Ties

Cable ties are an effective way of bundling wires and cables that keeps them organized and protected from damage. They form an effective, quick, easy and versatile approach to cable management.

KableKonnnect cable ties are made of nylon, which is a tough material with resistance to thermal and abrasion stresses. It is also resistant to a variety of fuels and chemicals.



Item No.	L		W(mm)	Max.Bundle.Dia.		Tensile strength		
	Inch	mm		E(Inch)	E(mm)	N	LBS	KGS
HDS-3x80	3 3/16"	80	2.5	0.63	16	80	18	8
HDS-3x100	4"	100	2.5	0.9	23	80	18	8
HDS-3x120	4 3/4"	120	2.5	1.06	27	80	18	8
HDS-3x150	6"	150	2.5	1.42	36	80	18	8
HDS-3x160	6 1/4"	160	2.5	1.53	39	80	18	8
HDS-3x200	8"	200	2.5	1.97	50	80	18	8
HDS-4x100	4"	100	3.6	0.83	21	180	40	18
HDS-4x120	4 3/4"	120	3.6	1.06	27	180	40	18
HDS-4x150	6"	150	3.6	1.5	38	180	40	18
HDS-4x180	7"	180	3.6	1.81	46	180	40	18
HDS-4x200	8"	200	3.6	2.05	52	180	40	18
HDS-4x250	10"	250	3.6	2.55	65	180	40	18
HDS-4x300	11 5/8"	300	3.6	3.15	80	180	40	18
HDS-4x370	14 1/2"	370	3.6	3.93	100	180	40	18
HDS-5x100	4"	100	4.8	0.9	23	220	50	22
HDS-5x120	4 3/4"	120	4.8	1.06	27	220	50	22
HDS-5x160	6 1/4"	160	4.8	1.5	38	220	50	22
HDS-5x185	7"	185	4.8	1.65	42	220	50	22
HDS-5x200	8"	200	4.8	1.97	50	220	50	22
HDS-5x250	10"	250	4.8	2.56	65	220	50	22
HDS-5x280	11"	280	4.8	2.75	70	220	50	22
HDS-5x300	11 5/8"	300	4.8	3.23	82	220	50	22
HDS-5x350	13 3/4"	350	4.8	3.86	98	220	50	22
HDS-5x370	15"	370	4.8	4.13	105	220	50	22
HDS-5x400	15 3/4"	400	4.8	4.52	115	220	50	22
HDS-5x430	17"	430	4.8	4.92	125	220	50	22
HDS-5x450	17 3/4"	450	4.8	5.19	132	220	50	22



...Cable ties

Item No.	L		W(mm)	Max.Bundle.Dia.		Tensile strength		
	Inch	mm		E(Inch)	E(mm)	N	LBS	KGS
HDS-5x500	19 11/16"	500	4.8	5.82	148	220	50	22
HDS-5x530	20"	530	4.8	6.09	155	220	50	22
HDS-8x150	6"	150	7.6	1.38	35	530	119	53
HDS-8x200	8"	200	7.6	1.97	50	530	119	53
HDS-8x250	10"	250	7.6	2.6	66	530	119	53
HDS-8x300	11 5/8"	300	7.6	3.23	82	530	119	53
HDS-8x350	13 3/4"	350	7.6	3.86	98	530	119	53
HDS-8x370	14 1/4"	370	7.6	4.13	105	530	119	53
HDS-8x400	15 3/4"	400	7.6	4.48	114	530	119	53
HDS-8x450	17 3/4"	450	7.6 5	11	130	530	119	53
HDS-8x500	19 11/16"	500	7.6 5	74	146	530	119	53
HDS-8x550	21 1/16"	550	7.6 6	29	160	530	119	53
HDS-10x400	15 3/4"	400	8.8	4.48	114	800	180	80
HDS-10x450	17 3/4"	450	8.8	4.96	126	800	180	80
HDS-10x500	19 11/16"	500	8.8	5.51	140	800	180	80
HDS-10x550	21 1/16"	550	8.8	6.29	160	800	180	80
HDS-10x610	23 5/8"	610	8.8	7	178	800	180	80
HDS-10x650	25 9/16"	650	8.8	7.47	190	800	180	80
HDS-10x710	27 1/2"	710	8.8	8.26	210	800	180	80
HDS-10x760	30"	760	8.8	8.9	226	800	180	80
HDS-10x810	32"	810	8.8	9.48	241	800	180	80
HDS-10x920	36 1/4"	920	8.8	10.86	276	800	180	80
HDS-10x1020	40 1/6"	1020	8.8	11.61	295	800	180	80
HDS-10x1200	48"	1200	8.8	13.57	345	800	180	80
HDS-12x650	25 9/16"	650	11	7.47	190	1140	250	114
HDS-12x760	29 9/16"	760	11	8.89	226	1140	250	114

Tie Bases

Cable tie bases, also known as cable mounts, are used with cable ties and help to fix cable ties to any surface. They come in different sizes to accommodate cable ties that are a specific width. They are selected by the maximum and minimum cable tie width they can accept.

Tie bases are strong, sturdy and long-lasting products. Easy to install, they can be used to good effect in wire-management systems as a quick way of securing wires and cables in place.

KableKonnct cable ties are available in square shape, the most widely-used type of mounting base. They have a rubber-backed adhesive for mounting.



Cable Accessories

Cable Glands

Cable Glands are defined as mechanical cable entry devices. They are available in a vast number of designs, but all these can be boiled down to the following four key functions:

Sealing: protection against the entry of dust, liquid, or gas

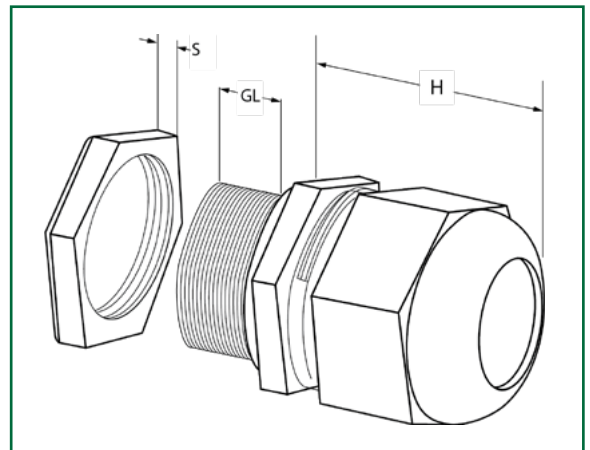
Retention: ability to hold the cable securely in place (known as 'pull-out resistance')

Continuity: ability to bear a peak short circuit current safely.

Environmental Protection: capacity to withstand attack from a range of environmental factors such as explosive or corrosive substances or ultraviolet radiation.

KableKonnnect cable glands have the following specifications:

- **Material:** Cap and Body-Nylon 6.6;
- **Seal:** Insert-Neoprene
- **Temperature resistance :** -30°C to 80°C;
(Short time : 140°C)
- **Color:** Black, Silver Grey, Dark Grey, others on request



Item No.	Type	Cable Range	GL	H	Wrench	Standard Packing	Locking Nut Dimension		
							Part No.	S	D
5007	PG 7	3 - 6	8.1	21.7	15	100	6007	5.3	15
5009	PG 9	4 - 8	7.5	28.2	19	100	6009	5.6	19
5011	PG 11	4 - 8	7.9	26.2	22	100	6011	5.4	22
5013	PG 13.5	6 - 12	8.9	31.5	24	100	6013	6.4	24
5016	PG 16	8 - 14	9.3	31.7	27	100	6016	6.5	27
5021	PG 21	10 - 18	11	38.6	33	100	6021	7	33
5029	PG 29	16 - 25	11	41.5	42	50	6029	7	42
5036	PG 36	22 - 32	14	51	54	20	6036	9	54
5042	PG 42	28 - 38	14.5	54	59	20	6042	9	59
5048	PG 48	36 - 44	15.5	54	64	20	6048	9	64

Cable Accessories

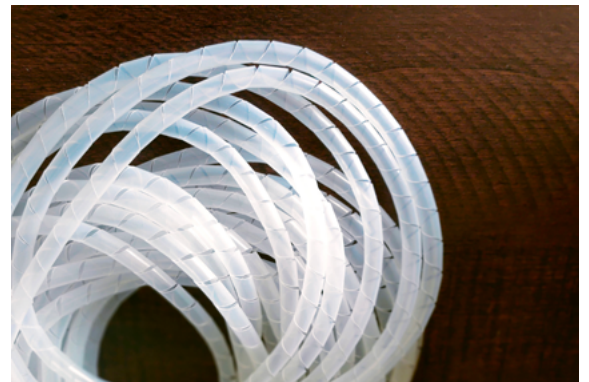
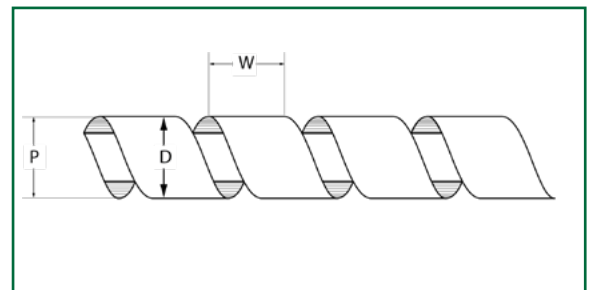
Spiral Bands

KabeKonnect spiral bands are designed as a versatile, multifunctional and flexible option for cable management; they can play a crucial role in any commercial and industrial situation.

They organize and protect bundles of cables or wires and can be used in very challenging instances of cable management and network installation.

They are simple, easy and fast to install. No heat-shrinking tubes are needed nor ties or adhesive tapes; no tools are necessary. Spiral bands are removable and reusable multiple ties and in multiple applications. They can be configured as required.

Spirally wrapped wires and cables are stable and stay organized and protected in any environment .



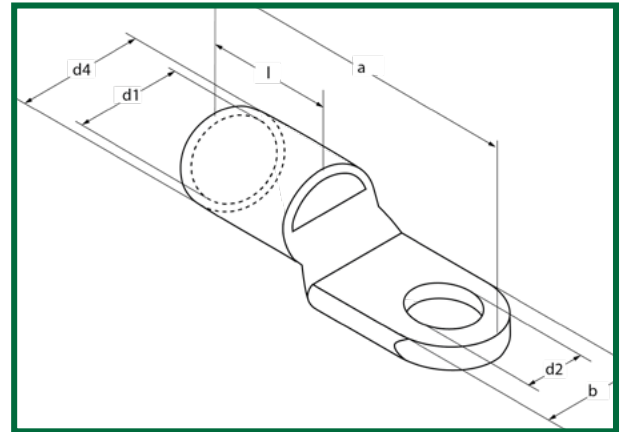
Item No.	P (mm)	D (mm)	W (mm)	Wire Range (mm)	Packing
SYB-06	4	6	7.0	4-50	10 m/roll
SYB-08	6	8	10.8	6-60	
SYB-10	7.5	10	11.4	7.5-60	
SYB-12	9	12	13.9	9-65	
SYB-15	12	15	15.0	12-70	
SYB-19	15	19	18.2	15-100	
SYB-24	20	24	19.6	20-130	

Cable Accessories

Tubular Lugs

KableKonnect terminal lugs are made from 99.9% Copper high-conductivity electrolytic copper tube, which has the best possible electrical properties.

They have extremely an low coefficient of thermal expansion and are a fire-hazard free product.



Item No.	Conductor Section	Bolt	d1	d2	d4	b	a	L
SC1.5-4	1.5	M4	1.8	4.2	3.7	8	5	16
SC1.5-5	1.5	M5	1.8	5.2	3.7	10	5	17
SC1.5-6	1.5	M6	1.8	6.5	3.7	10	5	18
SC2.5-4	2.5	M4	2.4	4.2	4	8	7	18
SC2.5-5	2.5	M5	2.4	5.2	4	10	7	20
SC2.5-6	2.5	M6	2.4	6.5	4	10	7	20
SC2.5-8	2.5	M8	2.4	8.4	4	12.5	7	23
SC4-4	4	M4	3.1	4.2	4.8	10	7	20
SC4-5	4	M5	3.1	5.2	4.8	10	7	20
SC4-6	4	M6	3.1	6.5	4.8	10	7	20
SC4-8	4	M8	3.1	8.4	4.8	12.5	7	23
SC6-4	6	M4	3.8	4.2	5.5	10	9	24
SC6-5	6	M5	3.8	5.2	5.5	10	9	24
SC6-6	6	M6	3.8	6.5	5.5	12	9	24
SC6-8	6	M8	3.8	8.4	5.5	12.5	9	26
SC6-10	6	M10	4	10.5	6.2	15	9	28
SC10-5	10	M5	4.5	5.2	6.2	12	9	25
SC10-6	10	M6	4.5	6.5	6.2	12	9	25
SC10-8	10	M8	4.5	8.4	6.2	12.5	9	27
SC10-10	10	M10	4.5	10.5	6.2	15	9	29
SC10-12	10	M12	4.5	13	6.2	17	9	31
SC16-5	16	M5	5.4	5.2	7.1	12	12	30
SC16-6	16	M6	5.4	6.5	7.1	12	12	30
SC16-8	16	M8	5.4	8.4	7.1	12.5	12	30
SC16-10	16	M10	5.4	10.5	7.1	16	12	33
SC16-12	16	M12	5.4	13	7.1	17	12	35
SC20-8	20	M8	6.3	8.4	8.3	8.4	12	32
SC25-5	25	M5	6.8	5.2	8.8	13	12	33
SC25-6	25	M6	6.8	6.5	8.8	13	12	33
SC25-8	25	M8	6.8	8.4	8.8	15	12	33
SC25-10	25	M10	6.8	10.5	8.8	18	12	34
SC25-12	25	M12	6.8	13	8.8	18	12	35
SC25-14	25	M14	6.8	15	8.8	20	12	38
SC35-5	35	M5	8.2	5.2	10.6	16	14	38
SC35-6	35	M6	8.2	6.5	10.6	16	14	38
SC35-8	35	M8	8.2	8.4	10.6	16	14	38
SC35-10	35	M10	8.2	10.5	10.6	18	14	39
SC35-12	35	M12	8.2	13	10.6	19	14	40.5
SC35-14	35	M14	8.2	15	10.6	20	14	42
SC50-6	50	M6	9.5	6.5	12.4	17.8	16	45

...Tubular Lugs

Item No.	Conductor Section	Bolt	d1	d2	d4	b	a	L
SC50-8	50	M8	9.5	8.4	12.4	17.8	16	45
SC50-10	50	M10	9.5	10.5	12.4	17.8	16	45
SC50-12	50	M12	9.5	13	12.4	20	16	45
SC50-14	50	M14	9.5	15	12.4	22	16	46
SC50-16	50	M16	9.5	17	12.4	24	16	47
SC70-8	70	M8	11.2	8.4	14.7	21	20	52
SC70-10	70	M10	11.2	10.5	14.7	21	20	52
SC70-12	70	M12	11.2	13	14.7	21	20	52
SC70-14	70	M14	11.2	15	14.7	21	20	52
SC70-16	70	M16	11.2	17	14.7	25	20	53
SC95-8	95	M8	13.5	8.4	17.4	25	23	58
SC95-10	95	M10	13.5	10.5	17.4	25	23	58
SC95-12	95	M12	13.5	13	17.4	25	23	58
SC95-14	95	M14	13.5	15	17.4	25	23	58
SC95-16	95	M16	13.5	17	17.4	25	23	58
SC120-8	120	M8	15	8.4	19.4	28	22	63
SC120-10	120	M10	15	10.5	19.4	28	22	63
SC120-12	120	M12	15	13	19.4	28	22	63
SC120-14	120	M14	15	15	19.4	28	22	63
SC120-16	120	M16	15	17	19.4	28	22	63
SC120-20	120	M20	15	21	19.4	28	22	63
SC150-8	150	M8	16.5	8.4	21.2	30.5	26	70
SC150-10	150	M10	16.5	10.5	21.2	30.5	26	70
SC150-12	150	M12	16.5	13	21.2	30.5	26	70
SC150-14	150	M14	16.5	15	21.2	30.5	26	70
SC150-16	150	M16	16.5	17	21.2	30.5	26	70
SC150-20	150	M20	16.5	21	21.2	30.5	26	70
SC185-10	185	M10	18.5	10.5	23.5	34	32	75
SC185-12	185	M12	18.5	13	23.5	34	32	75
SC185-14	185	M14	18.5	15	23.5	34	32	75
SC185-16	185	M16	18.5	17	23.5	34	32	75
SC185-20	185	M20	18.5	21	23.5	34	32	75
SC240-10	240	M10	21	10.5	26.5	38.5	38	90
SC240-12	240	M12	21	13	26.5	38.5	38	90
SC240-14	240	M14	21	15	26.5	38.5	38	90
SC240-16	240	M16	21	17	26.5	38.5	38	90
SC240-20	240	M20	21	21	26.5	38.5	38	90
SC300-10	300	M10	23.5	10.5	30	43	42	98
SC300-12	300	M12	23.5	13	30	43	42	98
SC300-14	300	M14	23.5	15	30	43	42	98
SC300-16	300	M16	23.5	17	30	43	42	98
SC300-20	300	M20	23.5	21	30	43	42	98
SC400-10	400	M10	28.5	10.5	36.5	52	44	110
SC400-12	400	M12	28.5	13	36.5	52	44	110
SC400-14	400	M14	28.5	15	36.5	52	44	110
SC400-16	400	M16	28.5	17	36.5	52	44	110
SC400-20	400	M20	28.5	21	36.5	52	44	110
SC500-10	500	M10	30	10.5	39	56	48	120
SC500-12	500	M12	30	13	39	56	48	120
SC500-14	500	M14	30	15	39	56	48	120
SC500-16	500	M16	30	17	39	56	48	120
SC500-20	500	M20	30	21	39	56	48	120
SC630-10	630	M10	35	10.5	45	65	56	140
SC630-12	630	M12	35	13	45	65	56	140
SC630-14	630	M14	35	15	45	65	56	140
SC630-16	630	M16	35	17	45	65	56	140
SC630-20	630	M20	35	21	45	65	56	140

Terminals

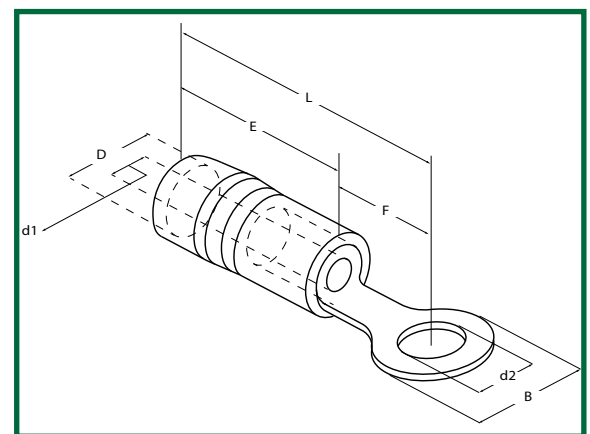
Ring Terminals

Ring terminals are used when two or more wires have to be connected to a single connection point, such as a circuit protection device.

KableKonnnect ring terminals are made to JIS standards and are UL certified. They come insulated with PVC. Different color codings are used to denote different wire sizes. The wiring size/gauge and the size of screws determine your choice of terminals.

Maximum Operating Temperature: (°C): 80

Flammability (UL-94): V0



Item No.	Wire Range AWG/mm ²		Stud Size	b	L	F	E	D	d1
			d2						
VR1-2	22~16AWG	0.5~1.5mm ²	#2(2.2)	.217(5.5)	.669(17.0)	.187(4.75)	.374(9.5)	.157(4.0)	.067(1.7)
VR1-3.2	22~16AWG	0.5~1.5mm ²	#4(3.2)	.217(5.5)	.669(17.0)	.187(4.75)	.374(9.5)	.157(4.0)	.067(1.7)
VR1-3.2L	22~16AWG	0.5~1.5mm ²	#4(3.2)	.315(8.0)	.807(20.5)	.276(7.0)	.374(9.5)	.157(4.0)	.067(1.7)
VR1-3	22~16AWG	0.5~1.5mm ²	#6(3.7)	.217(5.5)	.669(17.0)	.187(4.75)	.374(9.5)	.157(4.0)	.067(1.7)
VR1-3M	22~16AWG	0.5~1.5mm ²	#6(3.7)	.259(6.6)	.752(19.1)	.248(6.3)	.374(9.5)	.157(4.0)	.067(1.7)
VR1-3L	22~16AWG	0.5~1.5mm ²	#6(3.7)	.315(8.0)	.807(20.5)	.276(7.0)	.374(9.5)	.157(4.0)	.067(1.7)
VR1-4M	22~16AWG	0.5~1.5mm ²	#8(4.3)	.259(6.6)	.752(19.1)	.248(6.3)	.374(9.5)	.157(4.0)	.067(1.7)
VR1-4	22~16AWG	0.5~1.5mm ²	#8(4.3)	.315(8.0)	.807(20.5)	.276(7.0)	.374(9.5)	.157(4.0)	.067(1.7)
VR1-5	22~16AWG	0.5~1.5mm ²	#10(5.3)	.315(8.0)	.807(20.5)	.276(7.0)	.374(9.5)	.157(4.0)	.067(1.7)
VR1-6	22~16AWG	0.5~1.5mm ²	1/4(6.4)	.457(11.6)	.984(25.0)	.382(9.7)	.374(9.5)	.157(4.0)	.067(1.7)
VR1-8	22~16AWG	0.5~1.5mm ²	5/16(8.4)	.457(11.6)	.984(25.0)	.382(9.7)	.374(9.5)	.157(4.0)	.067(1.7)
VR1-10	22~16AWG	0.5~1.5mm ²	3/8(10.5)	.551(14.0)	1.122(28.5)	.472(12.0)	.374(9.5)	.157(4.0)	.067(1.7)
VR2-2	16~14AWG	1.5~2.5mm ²	#2(2.2)	.252(6.4)	.689(17.5)	.169(4.3)	.394(10.0)	.177(4.5)	.091(2.3)
VR2-3.2	16~14AWG	1.5~2.5mm ²	#4(3.2)	.252(6.4)	.689(17.5)	.169(4.3)	.394(10.0)	.177(4.5)	.091(2.3)
VR2-3.2L	16~14AWG	1.5~2.5mm ²	#4(3.2)	.335(8.5)	.866(22.0)	.305(7.75)	.394(10.0)	.177(4.5)	.091(2.3)
VR2-3	16~14AWG	1.5~2.5mm ²	#6(3.7)	.252(6.4)	.689(17.5)	.169(4.3)	.394(10.0)	.177(4.5)	.091(2.3)
VR2-3M	16~14AWG	1.5~2.5mm ²	#6(3.7)	.259(6.6)	.772(19.6)	.248(6.3)	.394(10.0)	.177(4.5)	.091(2.3)
VR2-3L	16~14AWG	1.5~2.5mm ²	#6(3.7)	.335(8.5)	.866(22.0)	.305(7.75)	.394(10.0)	.177(4.5)	.091(2.3)

...Ring Terminals

Item No.	Wire Range AWG/mm ²		Stud Size	b	L	F	E	D	d1
			d2						
VR2-4M	16~14AWG	1.5~2.5mm ²	#8(4.3)	.259(6.6)	.772(19.6)	.248(6.3)	.394(10.0)	.177(4.5)	.091(2.3)
VR2-4	16~14AWG	1.5~2.5mm ²	#8(4.3)	.335(8.5)	.866(22.0)	.305(7.75)	.394(10.0)	.177(4.5)	.091(2.3)
VR2-5	16~14AWG	1.5~2.5mm ²	#10(5.3)	.335(8.5)	.866(22.0)	.305(7.75)	.394(10.0)	.177(4.5)	.091(2.3)
VR2-5L	16~14AWG	1.5~2.5mm ²	#10(5.3)	.374(9.5)	.866(22.0)	.285(7.25)	.394(10.0)	.177(4.5)	.091(2.3)
VR2-6	16~14AWG	1.5~2.5mm ²	1/4(6.4)	.472(12.0)	1.063(27.0)	.433(11.0)	.394(10.0)	.177(4.5)	.091(2.3)
VR2-8	16~14AWG	1.5~2.5mm ²	5/16(8.4)	.472(12.0)	1.063(27.0)	.433(11.0)	.394(10.0)	.177(4.5)	.091(2.3)
VR2-10	16~14AWG	1.5~2.5mm ²	3/8(10.5)	.551(14.0)	1.142(29.0)	.472(12.0)	.394(10.0)	.177(4.5)	.091(2.3)
VR5-3.2	12~10AWG	4~6mm ²	#4(3.2)	.374(9.5)	1.024(26.0)	.325(8.25)	.512(13.0)	.252(6.4)	.134(3.4)
VR5-3S	12~10AWG	4~6mm ²	#6(3.7)	.283(7.2)	.886(22.5)	.232(5.9)	.512(13.0)	.252(6.4)	.134(3.4)
VR5-3	12~10AWG	4~6mm ²	#6(3.7)	.374(9.5)	1.024(26.0)	.325(8.25)	.512(13.0)	.252(6.4)	.134(3.4)
VR5-4S	12~10AWG	4~6mm ²	#8(4.3)	.374(9.5)	.886(22.5)	.232(5.9)	.512(13.0)	.252(6.4)	.134(3.4)
VR5-4	12~10AWG	4~6mm ²	#8(4.3)	.374(9.5)	1.024(26.0)	.325(8.25)	.512(13.0)	.252(6.4)	.134(3.4)
VR5-5	12~10AWG	4~6mm ²	#10(5.3)	.374(9.5)	1.024(26.0)	.325(8.25)	.512(13.0)	.252(6.4)	.134(3.4)
VR5-6	12~10AWG	4~6mm ²	1/4(6.4)	.472(12.0)	1.161(29.5)	.413(10.5)	.512(13.0)	.252(6.4)	.134(3.4)
VR5-8	12~10AWG	4~6mm ²	5/16(8.4)	.591(15.0)	1.339(34.0)	.531(13.5)	.512(13.0)	.252(6.4)	.134(3.4)
VR5-10	12~10AWG	4~6mm ²	3/8(10.5)	.591(15.0)	1.339(34.0)	.531(13.5)	.512(13.0)	.252(6.4)	.134(3.4)
VR5-12	12~10AWG	4~6mm ²	1/2(13.0)	.748(19.0)	1.673(42.5)	.787(20.0)	.512(13.0)	.252(6.4)	.134(3.4)

Terminals

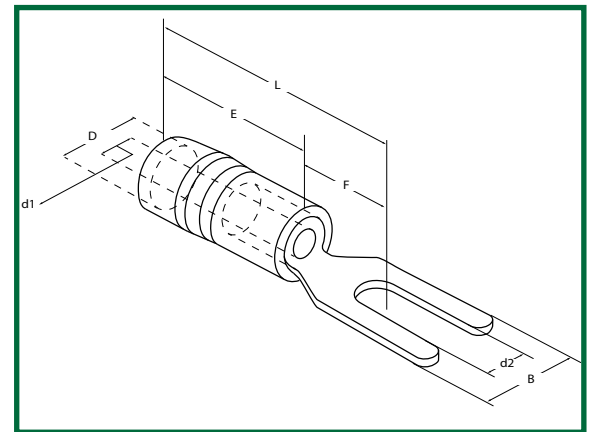
Spade Terminals—JIS standards

Spade terminals (also referred to as ‘fork’ or ‘split ring’ terminals) are used when a single wire is to be connected to a stud or screw type of electrical point. The shape of the terminal, similar to a fork, allows it to be quickly fixed or removed without the terminal point having to be unscrewed completely.

KableKonnect spade terminals are made to JIS standards and are UL certified. They come insulated with PVC. Different color codings are used to denote different wire sizes. The wiring size/gauge and the size of screws determine your choice of terminals.

Maximum Operating Temperature: (°C): 80

Flammability (UL-94): V0



Item No.	Wire Range AWG/mm ²		Stud Size	b	L	F	E	D	d1
			d2						
VY1-3.2	22~16 AWG	0.5~1.5mm ²	#4(3.2)	.224(5.7)	.815(20.7)	.256(6.5)	.374(9.5)	.157(4.0)	.067(1.7)
VY1-3S	22~16 AWG	0.5~1.5mm ²	#6(3.7)	.224(5.7)	.815(20.7)	.256(6.5)	.374(9.5)	.157(4.0)	.067(1.7)
VY1-3	22~16 AWG	0.5~1.5mm ²	#6(3.7)	.252(6.4)	.815(20.7)	.256(6.5)	.374(9.5)	.157(4.0)	.067(1.7)
VY1-4S	22~16 AWG	0.5~1.5mm ²	#8(4.3)	.252(6.4)	.815(20.7)	.256(6.5)	.374(9.5)	.157(4.0)	.067(1.7)
VY1-4	22~16 AWG	0.5~1.5mm ²	#8(4.3)	.283(7.2)	.815(20.7)	.256(6.5)	.374(9.5)	.157(4.0)	.067(1.7)
VY1-4L	22~16 AWG	0.5~1.5mm ²	#8(4.3)	.319(8.1)	.815(20.7)	.256(6.5)	.374(9.5)	.157(4.0)	.067(1.7)
VY1-5	22~16 AWG	0.5~1.5mm ²	#10(5.3)	.319(8.1)	.815(20.7)	.256(6.5)	.374(9.5)	.157(4.0)	.067(1.7)
VY1-6	22~16 AWG	0.5~1.5mm ²	1/4(6.4)	.433(11.0)	.984(25.0)	.394(10.0)	.374(9.5)	.157(4.0)	.067(1.7)
VY2-3.2	16~14 AWG	1.5~2.5mm ²	#4(3.2)	.224(5.7)	.834(21.2)	.256(6.5)	.394(10.0)	.177(4.5)	.091(2.3)
VY2-3S	16~14 AWG	1.5~2.5mm ²	#6(3.7)	.224(5.7)	.834(21.2)	.256(6.5)	.394(10.0)	.177(4.5)	.091(2.3)
VY2-3	16~14 AWG	1.5~2.5mm ²	#6(3.7)	.252(6.4)	.834(21.2)	.256(6.5)	.394(10.0)	.177(4.5)	.091(2.3)
VY2-4S	16~14 AWG	1.5~2.5mm ²	#8(4.3)	.252(6.4)	.834(21.2)	.256(6.5)	.394(10.0)	.177(4.5)	.091(2.3)
VY2-4	16~14 AW	1.5~2.5mm ²	#8(4.3)	.283(7.2)	.834(21.2)	.256(6.5)	.394(10.0)	.177(4.5)	.091(2.3)
VY2-4L	16~14 AWG	1.5~2.5mm ²	#8(4.3)	.319(8.1)	.834(21.2)	.256(6.5)	.394(10.0)	.177(4.5)	.091(2.3)
VY2-5	16~14 AWG	1.5~2.5mm ²	#10(5.3)	.319(8.1)	.834(21.2)	.256(6.5)	.394(10.0)	.177(4.5)	.091(2.3)

...Spade Terminals

Item No.	Wire Range AWG/mm ²		Stud Size	b	L	F	E	D	d1
			d2						
VY2-6	16~14 AWG	1.5~2.5mm ²	1/4(6.4)	.433(11.0)	1.004(25.5)	.394(10.0)	.394(10.0)	.177(4.5)	.091(2.3)
VY5-3	12~10 AWG	4~6mm ²	#6(3.7)	.322(8.2)	.972(24.7)	.283(7.2)	.512 (13.0)	.252 (6.4)	.134 (3.4)
VY5-3M	12~10 AWG	4~6mm ²	#6(3.7)	.354(9.0)	.972(24.7)	.283(7.2)	.512 (13.0)	.252 (6.4)	.134 (3.4)
VY5-4S	12~10 AWG	4~6mm ²	#8(4.3)	.283(7.2)	.972(24.7)	.283(7.2)	.512 (13.0)	.252 (6.4)	.134 (3.4)
VY5-4	12~10 AWG	4~6mm ²	#8(4.3)	.322(8.2)	.972(24.7)	.283(7.2)	.512 (13.0)	.252 (6.4)	.134 (3.4)
VY5-4M	12~10 AWG	4~6mm ²	#8(4.3)	.354(9.0)	.972(24.7)	.283(7.2)	.512 (13.0)	.252 (6.4)	.134 (3.4)
VY5-5	12~10 AWG	4~6mm ²	#10(5.3)	.354(9.0)	.972(24.7)	.283(7.2)	.512 (13.0)	.252 (6.4)	.134 (3.4)
VY5-6	12~10 AWG	4~6mm ²	1/4(6.4)	.472(12.0)	1.22(31.0)	.433(11.0)	.512 (13.0)	.252 (6.4)	.134 (3.4)

Terminals

Uninsulated Spade Terminals - JIS standards

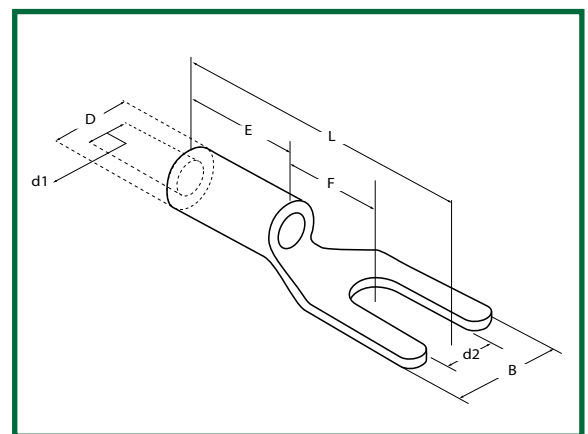
KableKonnect uninsulated spade terminals are also available. These are more economical since they have no insulation and are made of a single piece. This price advantage can be used when there is no possibility of any accidental touch causing personal injury or short circuits. Uninsulated terminals are the simplest type of connector, and usually made of tin-plated copper.

The shape of the terminal, similar to a fork, allows it to be quickly put in place without the terminal point having to be unscrewed completely.

KableKonnect spade terminals are made to JIS standards and are UL certified. They are available without insulation. The wiring size/gauge and the size of screws determine your choice of terminals.

Maximum Operating Temperature: (°C): 80

Flammability (UL-94): V0



Item No.	Wire Range AWG/mm ²		Stud Size	b	L	F	E	D	d1
			d2						
Y1-3.2NB	22~16 AWG	0.5~1.5mm ²	#4(3.2)	.224(5.7)	.618(15.7)	.256(6.5)	.177 (4.5)	.134 (3.4)	.075(1.9)
Y1-3SNB	22~16 AWG	0.5~1.5mm ²	#6 (3.7)	.224(5.7)	.618(15.7)	.256(6.5)	.177 (4.5)	.134 (3.4)	.075(1.9)
Y1-3NB	22~16 AWG	0.5~1.5mm ²	#6 (3.7)	.252(6.4)	.618(15.7)	.256(6.5)	.177 (4.5)	.134 (3.4)	.075(1.9)
Y1-4SNB	22~16 AWG	0.5~1.5mm ²	#8 (4.3)	.252(6.4)	.618(15.7)	.256(6.5)	.177 (4.5)	.134 (3.4)	.075(1.9)
Y1-4NB	22~16 AWG	0.5~1.5mm ²	#8 (4.3)	.283(7.2)	.618(15.7)	.256(6.5)	.177 (4.5)	.134 (3.4)	.075(1.9)
Y1-4LNB	22~16 AWG	0.5~1.5mm ²	#8 (4.3)	.319(8.1)	.618(15.7)	.256(6.5)	.177 (4.5)	.134 (3.4)	.075(1.9)
Y1-5NB	22~16 AWG	0.5~1.5mm ²	#10 (5.3)	.319(8.1)	.618(15.7)	.256(6.5)	.177 (4.5)	.134 (3.4)	.075(1.9)
Y1-6NB	22~16 AWG	0.5~1.5mm ²	1/4 (6.4)	.433(11.0)	.807(20.5)	.394(10.0)	.177 (4.5)	.134 (3.4)	.075(1.9)
Y2-3.2SNB	16~14AWG	1.5~2.5mm ²	#4(3.2)	.224(5.7)	.618(15.7)	.256(6.5)	.177 (4.5)	.165 (4.2)	.102(2.6)
Y2-3SNB	16~14AWG	1.5~2.5mm ²	#6 (3.7)	.224(5.7)	.618(15.7)	.256(6.5)	.177 (4.5)	.165 (4.2)	.102(2.6)
Y2-3NB	16~14AWG	1.5~2.5mm ²	#6 (3.7)	.252(6.4)	.618(15.7)	.256(6.5)	.177 (4.5)	.165 (4.2)	.102(2.6)
Y2-4SNB	16~14AWG	1.5~2.5mm ²	#8 (4.3)	.252(6.4)	.618(15.7)	.256(6.5)	.177 (4.5)	.165 (4.2)	.102(2.6)
Y2-4NB	16~14AWG	1.5~2.5mm ²	#8 (4.3)	.283(7.2)	.618(15.7)	.256(6.5)	.177 (4.5)	.165 (4.2)	.102(2.6)
Y2-4LNB	16~14AWG	1.5~2.5mm ²	#8 (4.3)	.319(8.1)	.618(15.7)	.256(6.5)	.177 (4.5)	.165 (4.2)	.102(2.6)

... Uninsulated Spade Terminals

Item No.	Wire Range AWG/mm ²		Stud Size	b	L	F	E	D	d1
			d2						
Y2-5NB	16~14AWG	1.5~2.5mm ²	#10 (5.3)	.319(8.1)	.618(15.7)	.256(6.5)	.177 (4.5)	.165 (4.2)	.102(2.6)
Y2-6NB	16~14AWG	1.5~2.5mm ²	1/4 (6.4)	.433(11.0)	.807(20.5)	.394(10.0)	.177 (4.5)	.165 (4.2)	.102(2.6)
Y5-3NB	12~10 AWG	4~6mm ²	#6(3.7)	.322(8.2)	.717(18.2)	.283(7.2)	.256 (6.5)	.220 (5.6)	.142 (3.6)
Y5-3MNB	12~10 AWG	4~6mm ²	#6(3.7)	.354(9.0)	.717(18.2)	.283(7.2)	.256 (6.5)	.220 (5.6)	.142 (3.6)
Y5-4SNB	12~10 AWG	4~6mm ²	#8(4.3)	.283(7.2)	.717(18.2)	.283(7.2)	.256 (6.5)	.220 (5.6)	.142 (3.6)
Y5-4NB	12~10 AWG	4~6mm ²	#8(4.3)	.322(8.2)	.717(18.2)	.283(7.2)	.256 (6.5)	.220 (5.6)	.142 (3.6)
Y5-4MNB	12~10 AWG	4~6mm ²	#8(4.3)	.354(9.0)	.717(18.2)	.283(7.2)	.256 (6.5)	.220 (5.6)	.142 (3.6)
Y5-5NB	12~10 AWG	4~6mm ²	#10(5.3)	.354(9.0)	.717(18.2)	.283(7.2)	.256 (6.5)	.220 (5.6)	.142 (3.6)
Y5-6NB	12~10 AWG	4~6mm ²	1/4(6.4)	.472(12.0)	.945(24.0)	.433(11.0)	.256 (6.5)	.220 (5.6)	.142 (3.6)

Terminals

Insulated Pin Terminals—JIS standards

Pin Terminals are solderless connectors which are used to terminate stranded wires. They are used when a connection is to be made with set screws or clamps.

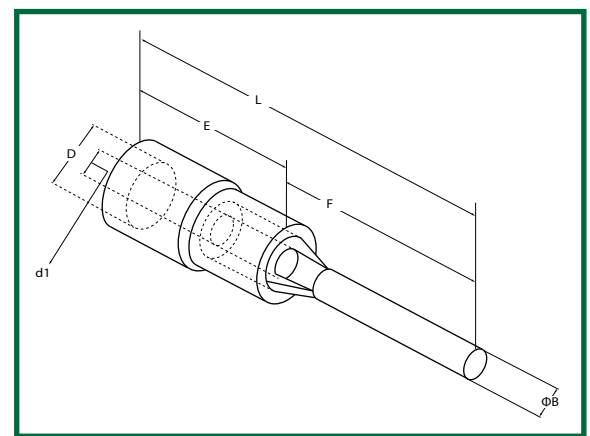
The stripped end of the wire is inserted into part of the terminal and crimped with a crimping tool. This reshapes the terminal until it is cold-welded onto the wire.

Pin Terminals are highly durable and flexible. The absence of the need to solder makes them simple and quick to use.

KableKonnnect pin terminals are made to JIS standards and are UL certified. They come insulated with PVC. Different color codings are used to denote different wire sizes. The wiring size/gauge and the size of screws determine your choice of terminals.

Maximum Operating Temperature: (°C): 80

Flammability (UL-94): V0



Item No.	Wire Range AWG/mm ²		b	L	F	E	D	d1
VPT1	22~16 AWG	0.5~1.5mm ²	.075(1.9)	.846(21.5)	12	.374(9.5)	.157(4.0)	.075(1.9)
VPT1-7	22~16 AWG	0.5~1.5mm ²	.075(1.9)	.650(16.5)	7	.374(9.5)	.157(4.0)	.075(1.9)
VPT1-9	22~16 AWG	0.5~1.5mm ²	.075(1.9)	.728(18.5)	9	.374(9.5)	.157(4.0)	.075(1.9)
VPT1-10	22~16 AWG	0.5~1.5mm ²	.075(1.9)	.768(19.5)	10	.374(9.5)	.157(4.0)	.075(1.9)
VPT1-17	22~16 AWG	0.5~1.5mm ²	.075(1.9)	1.043(26.5)	17	.374(9.5)	.157(4.0)	.075(1.9)
VPT2	16~14 AWG	1.5~2.5mm ²	.075(1.9)	.866(22.0)	12	.394(10.0)	.177(4.5)	.102(2.6)
VPT2-7	16~14 AWG	1.5~2.5mm ²	.075(1.9)	.669(17.0)	7	.394(10.0)	.177(4.5)	.102(2.6)
VPT2-9	16~14 AWG	1.5~2.5mm ²	.075(1.9)	.748(19.0)	9	.394(10.0)	.177(4.5)	.102(2.6)
VPT2-10	6~14 AWG	1.5~2.5mm ²	.075(1.9)	.787(20.0)	10	.394(10.0)	.177(4.5)	.102(2.6)
VPT2-17	16~14 AWG	1.5~2.5mm ²	.075(1.9)	1.063(27.0)	17	.394(10.0)	.177(4.5)	.102(2.6)
VPT5-6	12~10 AWG	4~6mm ²	.106(2.7)	.866(22.0)	9	.512(13.0)	.252(6.4)	.142(3.6)
VPT5	12~10 AWG	4~6mm ²	.106(2.7)	1.063(27.0)	14	.512(13.0)	.252(6.4)	.142(3.6)

Terminals

Blade Terminals—JIS standards

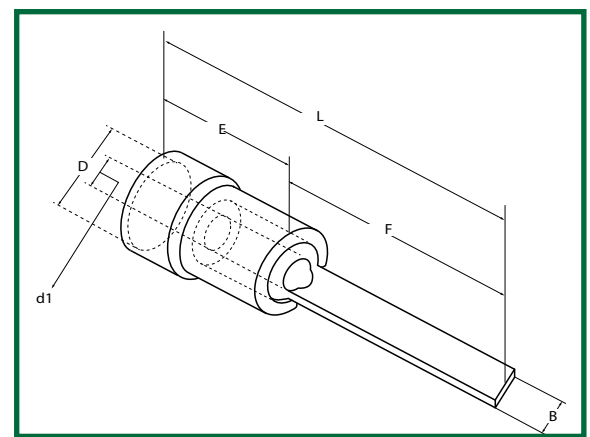
Blade Terminals are solderless connectors which are used to terminate stranded wires. They use flat blades made of conducting material to connect to blade receptacles.

Like ring and spade terminals, they are used to connect single wires.

KableKonnnect blade terminals are made to JIS standards and are UL certified. They come insulated with PVC. Different color codings are used to denote different wire sizes. The wiring size/gauge and the size of screws determine your choice of terminals.

MAX OPERATING TEMPERATURE (°C): 80

FLAMMABILITY (UL-94): V0



Item No.	Wire Range AWG/mm ²		b	L	F	E	D	d1
VBT1-9	22~16 AWG	0.5~1.5mm ²	.110(2.8)	.728(18.5)	9	.374(9.5)	.157(4.0)	.075(1.9)
VBT1-10	22~16 AWG	0.5~1.5mm ²	.087(2.2)	.787(20.0)	10.5	.374(9.5)	.157(4.0)	.075(1.9)
VBT1-13	22~16 AWG	0.5~1.5mm ²	.091(2.3)	.886(22.5)	13	.374(9.5)	.157(4.0)	.075(1.9)
VBT1-14	22~16 AWG	0.5~1.5mm ²	.118(3.0)	.945(24.0)	14.5	.374(9.5)	.157(4.0)	.075(1.9)
VBT1-18	22~16 AWG	0.5~1.5mm ²	.087(2.2)	1.102(28.0)	18.5	.374(9.5)	.157(4.0)	.075(1.9)
VBT2-9	16~14 AWG	1.5~2.5mm ²	.110(2.8)	.748(19.0)	9	.394(10.0)	.177(4.5)	.102(2.6)
VBT2-10	16~14 AWG	1.5~2.5mm ²	.087(2.2)	.807(20.5)	10.5	.394(10.0)	.177(4.5)	.102(2.6)
VBT2-13	16~14 AWG	1.5~2.5mm ²	.087(2.2)	.906(23.0)	13	.394(10.0)	.177(4.5)	.102(2.6)
VBT2-16	16~14 AWG	1.5~2.5mm ²	.110(2.8)	1.024(26.0)	16	.394(10.0)	.177(4.5)	.102(2.6)
VBT2-18	16~14 AWG	1.5~2.5mm ²	.087(2.2)	1.122(28.5)	18.5	.394(10.0)	.177(4.5)	.102(2.6)
VBT5-10	12~10 AWG	4~6mm ²	.110(2.8)	.925(23.5)	10.5	.512(13.0)	.252(6.4)	.142(3.6)
VBT5-18	12~10 AWG	4~6mm ²	.177(4.5)	1.228(31.2)	18.2	.512(13.0)	.252(6.4)	.142(3.6)

Terminals

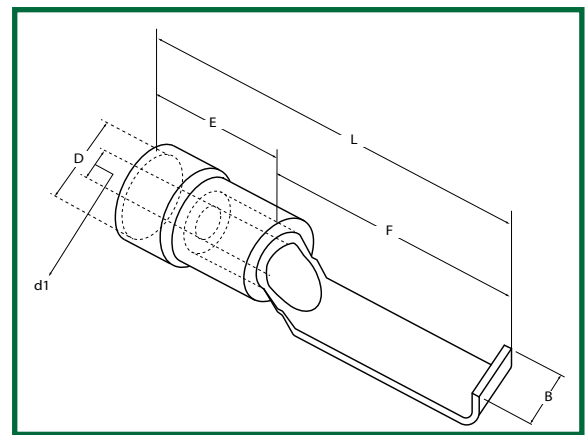
Hooked Blade Terminals—JIS standards

Hooked blade terminals, also called lipped blade terminals, are shaped a little differently from blade terminals. They feature an extra lip or hook at the end which ensures they are locked securely on to the part to be connected.

KableKonnnect hooked blade terminals are made to JIS standards and are UL certified. They come insulated with PVC. Different color codings are used to denote different wire sizes. The wiring size/gauge and the size of screws determine your choice of terminals.

MAX OPERATING TEMPERATURE (°C): 80

FLAMMABILITY (UL-94): V0



Item No.	Wire Range AWG/mm ²		b	L	F	E	D	d1
VHB1-17	22~16 AWG	0.5~1.5mm ²	.118(3.0)	1.043(26.5)	17	.374(9.5)	.157(4.0)	.075(1.9)
VHB1-17-4.6	22~16 AWG	0.5~1.5mm ²	.181(4.6)	1.043(26.5)	17	.374(9.5)	.157(4.0)	.075(1.9)
VHB2-17	16~14 AWG	1.5~2.5mm ²	.118(3.0)	1.063(27.0)	17.5	.374(9.5)	.177(4.5)	.102(2.6)
VHB2-17-4.6	16~14 AWG	1.5~2.5mm ²	.181(4.6)	1.063(27.0)	17.5	.374(9.5)	.177(4.5)	.102(2.6)
VHB5-18	12~10 AWG	4~6mm ²	.181(4.6)	1.181(30.0)	17.5	.492(12.5)	.252(6.4)	.142(3.6)

Terminals

Male Disconnecter Terminals

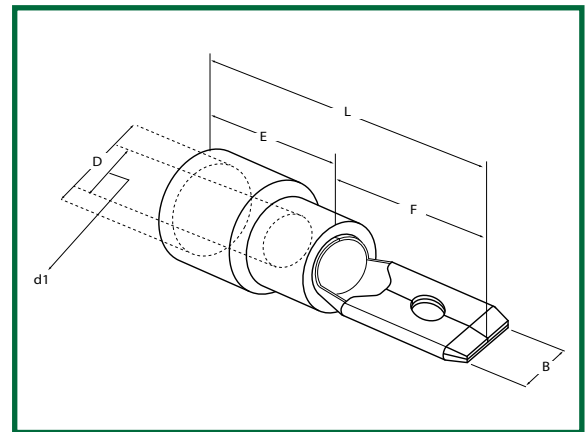
Male and Female disconnecter terminals, also known as ‘quick disconnect terminals,’ are reliable and safe to use, and have the added advantage of ease and convenience of quick connections and disconnections. They serve as terminations for stranded wires, and provide extra insulations after the wires have been stripped for connection.

Many devices and components have built-in disconnect points which require the use of these terminals. They are available in male or female forms, in different sizes as given in the tables below.

KableKonnect quick disconnect terminals are UL certified. and have PVC insulation. Different color codings are used to denote different wire sizes. The wiring size/gauge determine your choice of terminals.

MAX OPERATING TEMPERATURE (°C): 80

FLAMMABILITY (UL-94): V0



Item No.	Wire Range AWG/mm ²	To Fit Tab Size	b	L	F	E	D	d1
VD1-6.3M	22~16 AWG 0.5~1.5mm ²	.032* .250 (0.8*6.3)	.250 (6.3)	.799(20.3)	.307(7.8)	.374(9.5)	.134(3.4)	.075(1.9)
VD2-6.3M	16~14 AWG 1.5~2.5mm ²	.032* .250 (0.8*6.3)	.250 (6.3)	.799(20.3)	.307(7.8)	.374(9.5)	.169(4.3)	.102(2.6)
VD5-6.3M	12~10 AWG 4~6mm ²	.032* .250 (0.8*6.3)	.250 (6.3)	.937(23.8)	.307(7.8)	.512 (12.5)	.217 (5.5)	.142(3.6)

Terminals

Female Disconnecter Terminals

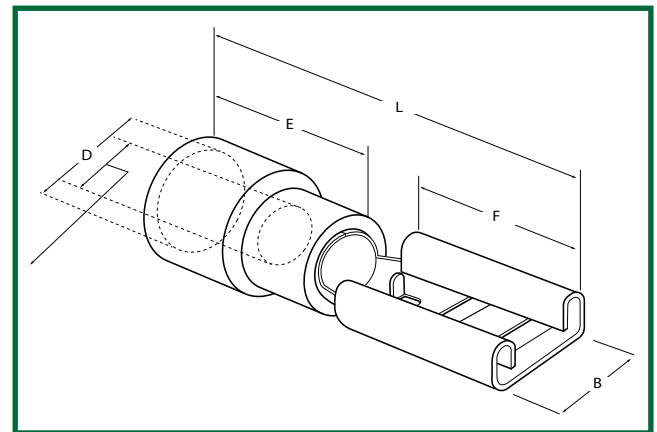
Male and Female disconnecter terminals, also known as ‘quick disconnect terminals,’ are reliable and safe to use, and have the added advantage of ease and convenience of quick connections and disconnections. They serve as terminations for stranded wires, and provide extra insulations after the wires have been stripped for connection.

Many devices and components have built-in disconnect points which require the use of these terminals. They are available in male or female forms, in different sizes as given in the tables below.

KableKonnnect quick disconnect terminals are UL certified. and have PVC insulation. Different color codings are used to denote different wire sizes. The wiring size/gauge determine your choice of terminals.

MAX OPERATING TEMPERATURE (°C): 80

FLAMMABILITY (UL-94): V0



Item No.	Wire Range AWG/mm ²	To Fit Tab Size	b	L	F	E	D	d1
VD1-6.3F	22~16 AWG 0.5~1.5mm ²	.032*.250 (0.8*6.3)	.291(7.4)	.799(20.3)	.311(7.9)	.374(9.5)	.134(3.4)	.075(1.9)
VD2-6.3F	16~14 AWG 1.5~2.5mm ²	.032*.250 (0.8*6.3)	.291(7.4)	.799(20.3)	.311(7.9)	.374(9.5)	.169(4.3)	.102(2.6)
VD5-6.3F	12~10 AWG 4~6mm ²	.032*.250 (0.8*6.3)	.291(7.4)	.937(23.8)	.311(7.9)	.492(12.5)	.217(5.5)	.142(3.6)

Expandable Braided Sleeves

KableKonnnect expandable braided sleeves are economical and easy to install. It is cut and abrasion resistant.

We manufacture Busbar Sleeves (PVC) in our own factory in Ras Al Khaimah, UAE. We maintain very high, internationally acceptable standards of quality and durability in these products. They are made of rigid PVC of high tensile and compressive strength. They are non-flammable, non-brittle & warp-proof.

Product characteristics:

Material: PET(Polyethylene terephthalate)

Size: 3-90mm

Working temperature: -50°C—125°C

Cutting tool: hot cutting machine

Expansion characteristics:

The larger the network management density expansion is smaller

Authentication: SGS

Product color: black, color, pattern



SIZE (mm)	EXTENSIVE RANGE	PACAKGE
2	3mm-6mm	500M/R
3	3mm-6mm	500M/R
4	4mm-8mm	500M/R
6	6mm-12mm	500M/R
8	7mm-15mm	500M/R
10	9mm-20mm	500M/R
12	12mm-24mm	200M/R
14	12mm-26mm	200M/R
16	16mm-30mm	200M/R
18	18mm-38mm	100M/R
20	18mm-38mm	100M/R
22	20mm-42mm	100M/R
25	20mm-42mm	100M/R
30	30mm-55mm	100M/R
32	30mm-55mm	100M/R
35	30mm-55mm	100M/R
38	40mm-70mm	100M/R
40	40mm-70mm	100M/R
45	45mm-80mm	100M/R
50	45mm-80mm	100M/R
55	55mm-90mm	50M/R
70	70mm-120mm	50M/R
80	80mm-130mm	50M/R
90	90-150mm	50M/R
100	100mm-170mm	50M/R

Sole Distributors:



Royal Rubber Electric Equipment Trading LLC

PO Box 231560, Dubai, UAE.

Telephone:+971-4-2580780

Mobile:+971-50-8700652,

Email:switchgearindustrydx@hotmai.com,
info@royalswitchgeardubai.com

Website: www.royalswitchgeardubai.com
