

Fuse Holder RTX-18 LED Indicator

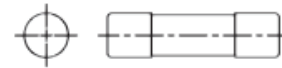
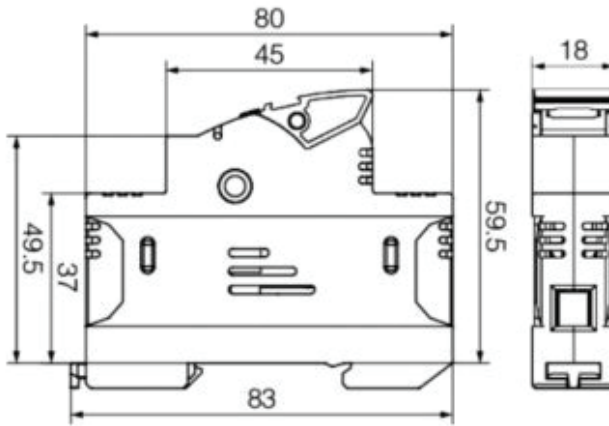


Fuse Holder Sealable with indicator RFS201

| | |
|--------------------------------------|-----------------------------------|
| Part Number | RFS201 |
| Type | RT18X-32 |
| Mounting method | DIN rail installation |
| Wiring range | 0.75-25mm² |
| Fuse size | 10*38 |
| Rated operational current Ie | 32A |
| Rated operational voltage Ue | 400V/690V |
| Rated Insulation Voltage Ui | 800V |
| Rated Impulse Withstand Voltage Uimp | 6 kV |
| Breaking capacity with fuse | 100kA(500VAC)/50kA(690VAC) |
| Utilization category | AC-22B |
| LED operational voltage range | 110-690V AC/DC |
| IP Degree | IP20 |
| Reference standard | IEC 60269-2, GB/T 13539.2 |



Dimensions (mm)



10×38mm



Fuse Link RFS1038

| | |
|--------------------------------------|---|
| Part Number | RFS1038 |
| Type | RT18X-32 |
| Rated Voltage Un | 500VAC; 690VAC |
| Rated Current In @ 500VAC | In:2A 4A. 6A. 8A. 10A. 16A. 20A. 25A. 32A(500VAC); |
| Breaking capacity With Fuse @ 500VAC | 100kA (500VAC) |
| Breaking capacity With Fuse @ 690VAC | 50kA (690VAC) |

